

AUTOMATED SOUND VELOCITY PROFILER (ASVP)

Specifications with IOS-200

ASVP Winch Specifications:

Dimensions:	278cm L x 61cm W x 206cm H (with boom)	
	92cm L x 61cm W x 114cm H (without boom)	
Weight:	550 lbs (with boom)	
Material:	Aluminum – Marine Grade	
Winch Drive:	AC Flux-Vector Electric Motor	5HP (3.7 kW)
Drum:	Core Diameter:	22.8 cm
	Flange Diameter:	35.5 cm
	Drum Width:	30.5 cm
Slip-ring:	4 Channel Water-Proof	
Level Wind Type:	Diamond Screw	
Input Power:	220VAC, 3 phase, 50-60 Hz, 25 amps or 440VAC, 3 phase, 50-60 Hz, 13 amps	

ASVP Sonde Specifications:

Type:	Hydrodynamic Body with Stabilizers	
Weight in Air:	128 lbs (58 kg)	
Weight in Water:	100 lbs (45 kg)	
Dimensions:	Main Hull Diameter:	20 cm (7.8”)
	Overall Width (with stabilizers):	40 cm (15.7”)
	Overall Length:	80 cm (31.5”)
Sensors:	Sing-Around SV (C T D Optional)	
	Sound Velocity Range:	1400-1600 m/s
	Sound Velocity Accuracy:	+/- 0.05 m/s
Additional Options:	Free-Fall Penetrometer	

Cable Specifications:

Type:	Double armored electro-mechanical	
Length:	600 m	
Cable Dia.:	0.186 in. (4.7 mm)	
Conductors:	4 x 24 AWG	

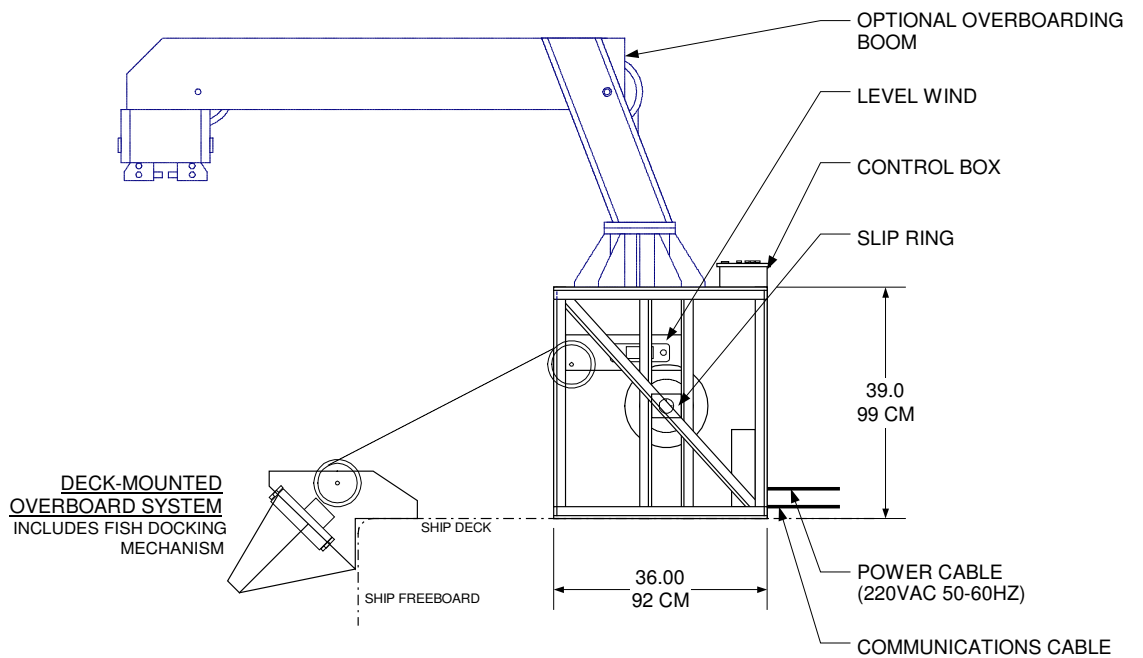
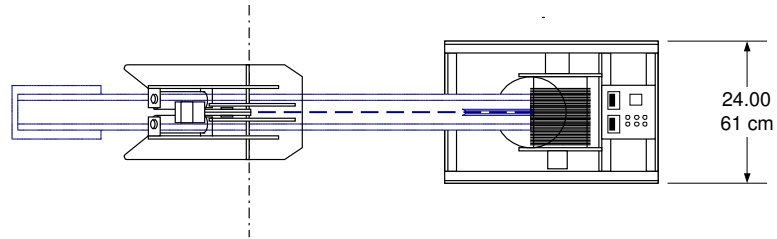
Operational Specifications

Type:	Fully Automated sonde casts and retrieval with vessel underway	
Maximum Depth:	200 m	
Vessel Speed:	12 kts (6.2 m/s)	6 kts (3.1 m/s)
Cast time:*	6.5 minutes	4.0 minutes
Vessel transit:*	1.3 nm (2.4 km)	0.4 nm (0.7 km)

*Parameters, from start of sonde free fall to retrieval near surface, are approximate.



AUTOMATED SOUND VELOCITY PROFILER (ASVP) ASVP Winch



InterOcean systems, inc.

3540 Aero Court, San Diego, CA 92123 USA tel (858) 565-8400 fax (858) 268-9695 sales@interoceansystems.com

www.interoceansystems.com